

## CLEANING INSTRUCTIONS

The external surface of FENIX NTM<sup>®</sup> involves the use of nanotechnology and it is characterized by next generation acrylic resins, hardened and fixed with Electron Beam Curing process. With low light reflectivity, its surface is extremely opaque, anti-fingerprint and features a very pleasant soft touch. Besides the main features, such as the thermal healing of microscratches, this innovative material stands out for specific properties which facilitate normal cleaning and do not require particular maintenance. In fact, it is extremely easy to clean and is resistant to mold, it has enhanced anti-bacterial properties, it is resistant to rub, scratches and abrasion, as well as to acid solvents and household reagents.

### GENERAL PRECAUTIONS

For best results in cleaning FENIX NTM, it is important to remember certain precautions:

- although very durable, the surface of FENIX NTM must still never be treated with products containing abrasive substances, abrasive sponges or unsuitable products, such as sandpaper or steel wool;
- products with a high acid or very alkaline content should be avoided because they can stain the surface;
- when using solvents, the cloth used must be perfectly clean so as not to leave marks on the FENIX NTM surface.
- avoid furniture polishes and wax based cleaners in general, because they tend to form a sticky layer on the dense FENIX NTM surface, to which the dirt adheres.

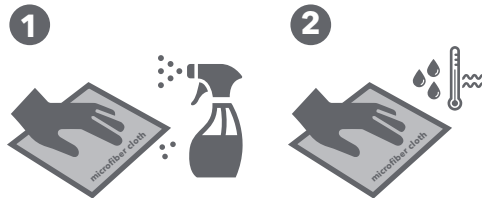
### Type of dirt



Syrup, fruit juice, jam, spirits, milk, tea, coffee, wine, spirits, soap and ink.



### Recommended cleaning instructions



**1.** REMOVE any stain with a degreaser and coarse microfiber cloth.

**2.** RINSE thoroughly using a fine microfiber cloth and warm water.



Animal and vegetable fats, sauces, blood, eggs, smoke, gelatine, vegetable and vinyl based glues, organic waste, gum arabic.



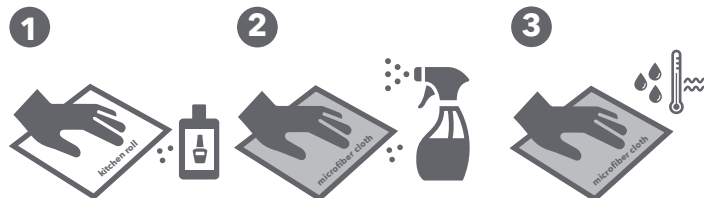
**1.** REMOVE with kitchen roll.

**2.** REMOVE any stain with a degreaser and coarse microfiber cloth.

**3.** RINSE thoroughly using a fine microfiber cloth and warm water.



Hair spray, vegetable oil, biro and felt tip, pens, wax, foundations and greasy make-up, residual solvent marks, nail polish, spray lacquer, linseed oil, neoprene glues, traces of silicone, lime deposits.



**1.** REMOVE using kitchen roll soaked in nail polish remover (acetone).

**2.** REMOVE any stain with a degreaser and coarse microfiber cloth.

**3.** RINSE thoroughly using a fine microfiber cloth and warm water.



### MAINTENANCE

The use of the magic sponge is recommended, when needed, for the proper regeneration of the material.

## MAINTENANCE INSTRUCTIONS

### ORDINARY MAINTENANCE

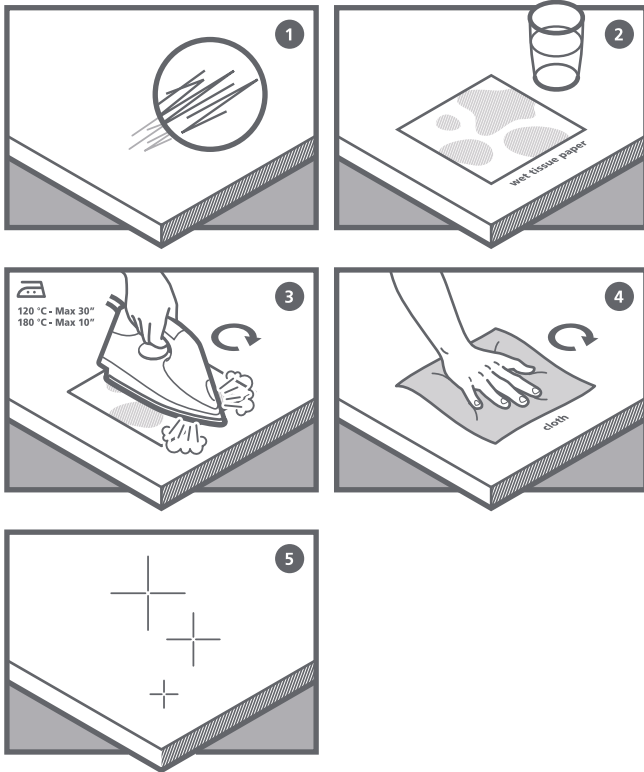
FENIX NTM<sup>®</sup> surface should be cleaned regularly but does not require any special maintenance, just a damp cloth with warm water or mild detergents. Almost all normal household cleaning products or disinfectants are perfectly well tolerated. When needed, it is suggested to use the magic sponge for cleaning the surface.

### EXTRAORDINARY MAINTENANCE

In case of dirt which cannot be cleaned with normal household detergents, due to the irregular topography and closed surface of FENIX NTM, the use of non-aggressive aromatic solvents (acetone) is suggested. In case of micro scratches, please refer to the specific surface thermal healing instructions.

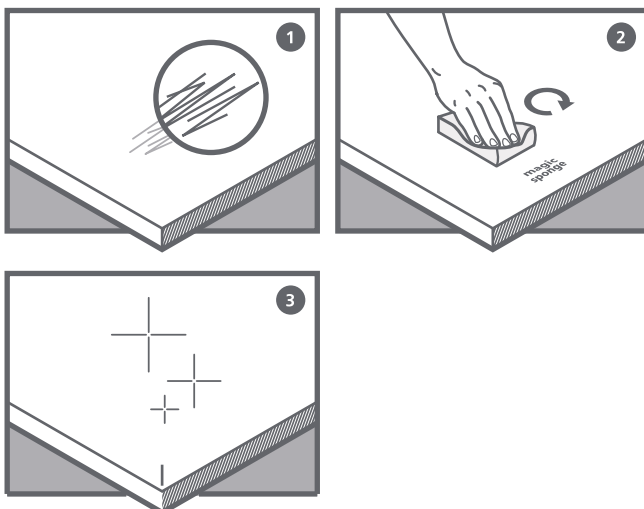
### MAINTENANCE TIPS

The use of the magic sponge is recommended, when needed, for the proper regeneration of the material.



### Maintenance instructions IRON

1. Superficial defects caused by micro-scratches.
2. Place a dampened kitchen roll sheet on the area where the micro-scratches can be seen.
3. Position the heated iron onto the surface that needs to be repaired. Do not leave the iron on the part of the surface for more than 10 seconds.
4. Rinse the repaired area with lukewarm water and microfiber cloth.
5. The surface should now be healed.



### Maintenance instructions MAGIC SPONGE

1. Superficial defects caused by micro-scratches.
2. Rub the magic sponge on the area where the micro-scratches can be seen. The sponge can be used dry or slightly damp.
3. The surface should now be healed.